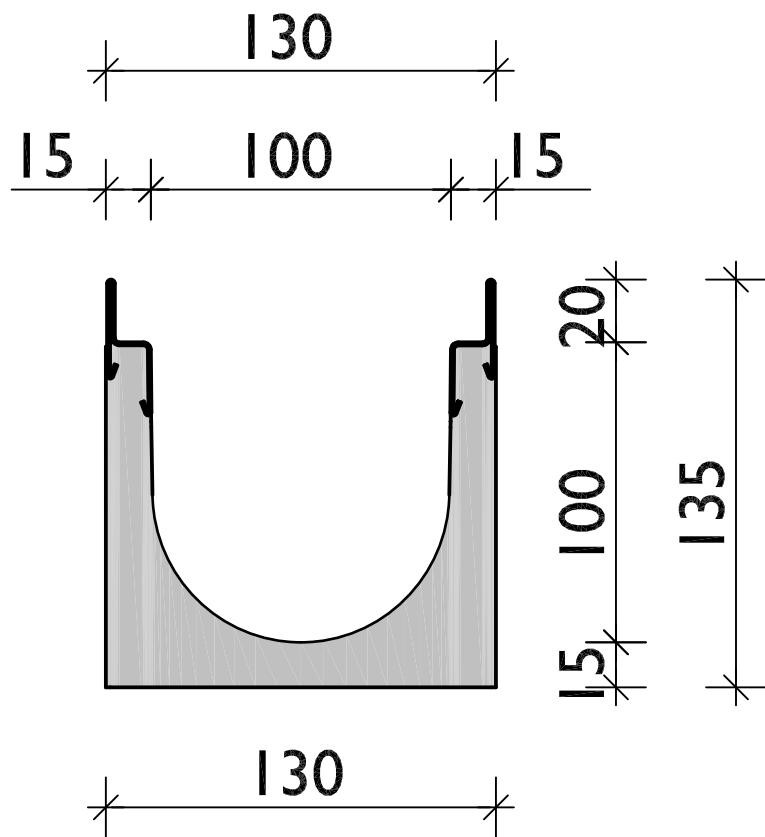


tec 100/0



tec 100/10-0

